

# MINI EXCAVATOR SK16 SK18

## Superior workability in a compact package

With its compact size, high stability, and a wide working range that is suitable for many applications, this mini excavator is ideal for work in urban areas and landscaping work. The backlit liquid crystal monitor is provided as standard, allowing the machine status to be readily checked.

### Wide Working Range

The SK16 and SK18 have plenty of working ranges.

SK16

Max. Digging Reach: **3,635 mm / 3,825 mm<sup>\*1</sup>**

Max. Digging Height: **3,460 mm / 3,590 mm<sup>\*1</sup>**

Max. Digging Depth: **2,005 mm / 2,205 mm<sup>\*1</sup>**

SK18

Max. Digging Reach: **4,040 mm**

Max. Digging Height: **3,760 mm**

Max. Digging Depth: **2,420 mm**

<sup>\*1</sup> With long arm

### Backlit liquid crystal monitor

The backlit liquid crystal monitor is provided as standard.

Operation data as well as the full range of machine status data can readily be checked.



### Short tail swing radius

SK16 / SK18

Tail Swing Radius: **980 mm**

### High lifting performance (SK18)

Lifting capacity: **600 kg**

Reach from swing centerline : 2 m

Lift point height : Ground

Cab specification

Dozer : blade up

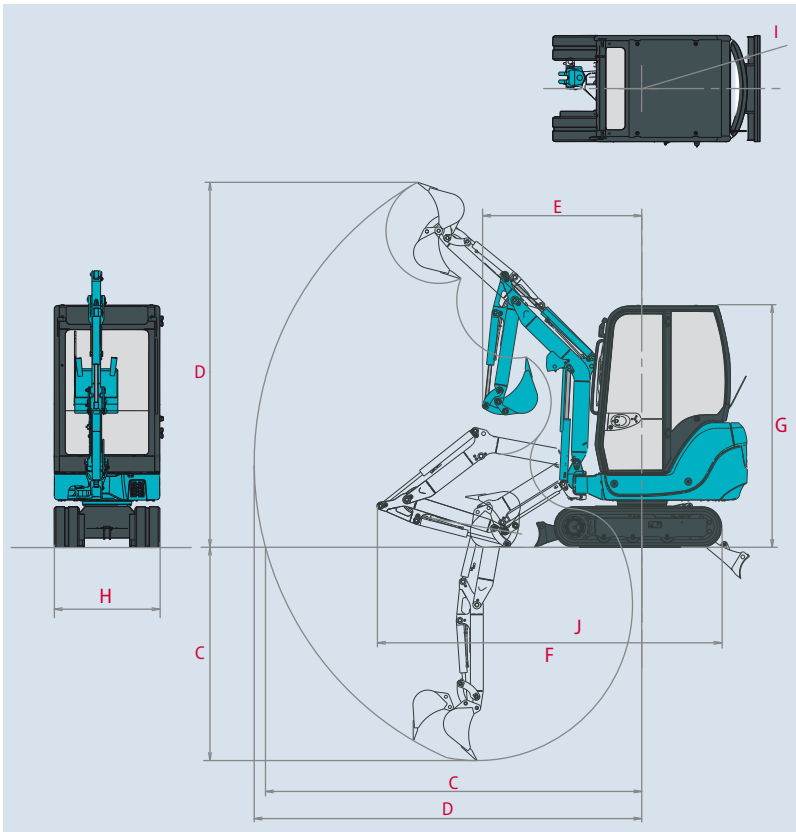
### Retractable Crawlers (SK18)

Crawlers can be easily extended and retracted by operating a simple lever.



SK18

## DIMENSIONS



SK16

MODEL		SK16	SK18
A	Max. digging reach	3,635 (3,825) <sup>*1</sup>	4,040
B	Max. digging reach at ground level	3,530 (3,725) <sup>*1</sup>	3,950
C	Max. digging depth	2,005 (2,205) <sup>*1</sup>	2,420
D	Max. digging height	3,460 (3,590) <sup>*1</sup>	3,760
E	Min. front swing radius	1,480 (1,520) <sup>*1</sup>	1,540
	Min. front swing radius at full boom swing	1,290 (1,320) <sup>*1</sup>	1,340

Unit: mm

MODEL		SK16	SK18
F	Overall length	3,450 (3,485) <sup>*1</sup>	3,660
G	Overall height	2,240 (2,280) <sup>*2</sup>	2,240 (2,280) <sup>*2</sup>
H	Overall width	980	980 (1,320) <sup>*3</sup>
I	Tail swing radius	980	980

Unit: mm

(<sup>\*1</sup>): With long arm  
(<sup>\*2</sup>): Canopy spec.

(<sup>\*3</sup>): Crawlers extended

## SPECIFICATIONS

MODEL			SK16	SK18	
Machine	Cab	Rubber	kg	1,635	1,900
	Canopy	Rubber	kg	1,515	1,760
Bucket Capacity			m <sup>3</sup>	0.05	0.05
Arm length			m	0.96 (1.16) <sup>*1</sup>	1.16
Bucket Digging Force (ISO 7451)			kN	15.3	15.2
Arm Crowding Force (ISO 7451)			kN	7.6 (6.55) <sup>*1</sup>	7.4
<b>ENGINE</b>					
Model			3TNV70-XBVA2	3TNV70-VBVA2	
Type			Water-cooled, 4-cycle, 3-cylinder		
Power Output	ISO 9249	kW(PS)/rpm	12.1 (16.5)/2,600	9.5 (12.9)/2,100	
	ISO 14396	kW(PS)/rpm	12.5 (17.1)/2,600	9.9 (13.5)/2,100	
Max. Torque		N-m/rpm	53/1,800	51.4/1,500	
Displacement		L	0.854	0.854	
Fuel Tank		L	24.5	24.5	
<b>HYDRAULIC SYSTEM</b>					
Max. Discharge Flow		L/min	34	48.3	
Relief Valve Setting (Excavating circuits)		MPa	17.6	20	
Hydraulic Oil Tank (system)		L	20 (28.5)	20 (28.5)	

MODEL		SK16	SK18	
<b>TRAVEL SYSTEM</b>				
Travel speed (high/low)		km/h	3.3/1.7	4.1/2.2
Traction force		kN	15.3	17
<b>CRAWLER</b>				
Shoe Width		mm	230	230
<b>DOZER BLADE</b>				
Width x Height		mm	230 x 980	230 x 980 (1,320) <sup>*3</sup>
Working Ranges (height/depth)		mm	240/300	240/300
<b>SWING SYSTEM</b>				
Swing Speed		min <sup>-1</sup>	10	10
Tail Swing Radius		mm	980	980
<b>SIDE DIGGING MECHANISM</b>				
Type		Boom swing		
Offset Angle	To the left	degree	41	40
	To the right	degree	77	80

(<sup>\*1</sup>): With long arm

(<sup>\*3</sup>): Crawlers extended

Note: This catalog may contain attachments and optional equipment that are not available in your area. And it may contain photographs of machines with specifications that differ from those of machines sold in your areas. Please consult your nearest KOBELCO distributor for those items you require.

Due to our policy of continuous product improvements all designs and specifications are subject to change without advance notice.

Copyright by KOBELCO CONSTRUCTION MACHINERY EUROPE B.V. No part of this catalog may be reproduced in any manner without notice.

## Kobelco Construction Machinery Europe B.V.

Veluwezoom 15  
1327 AE Almere  
The Netherlands  
www.kobelco-europe.com

Inquiries To: