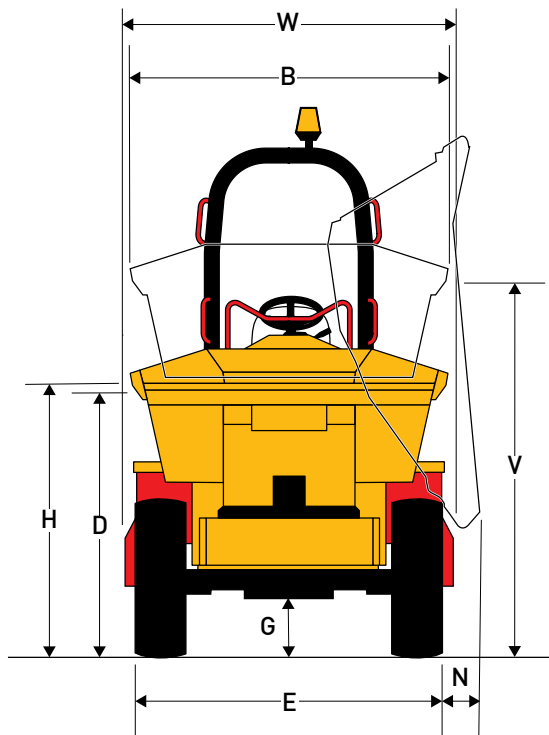
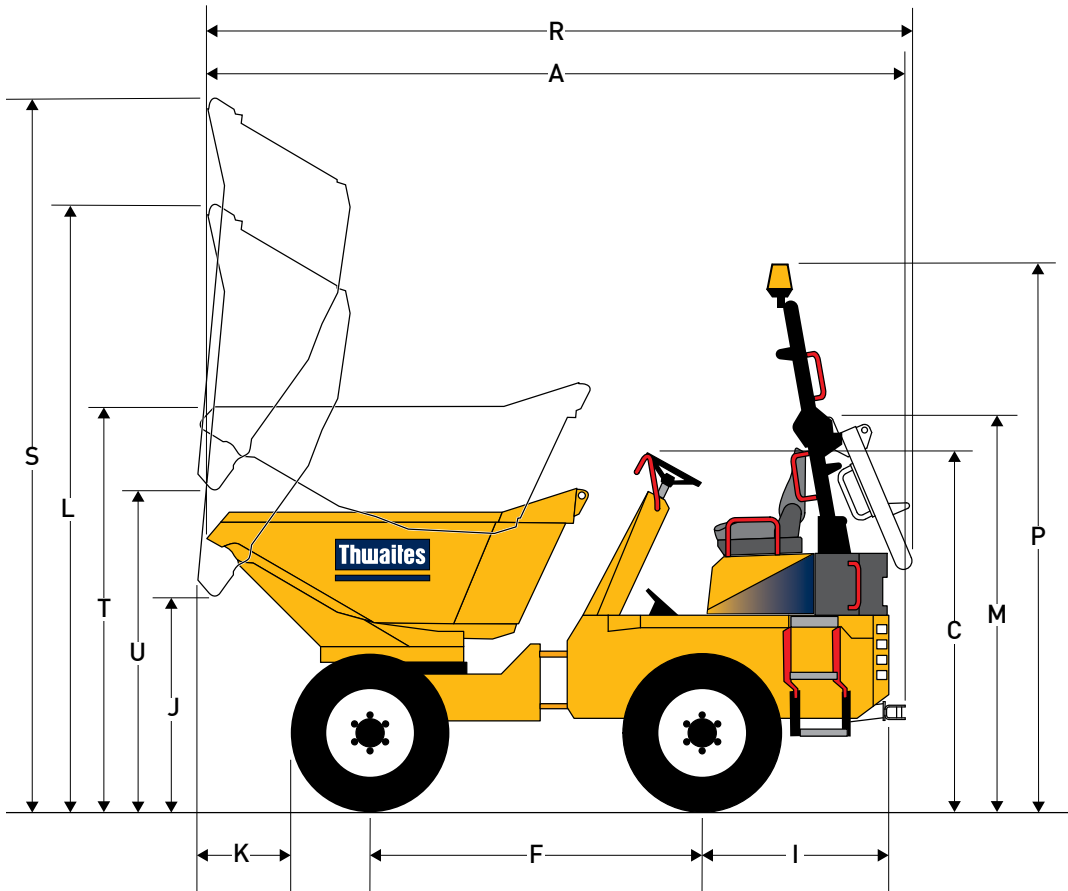


T300H Hi-Swivel Hydrostatic

MACH2075



Load-over height: Skip down - 1395 mm
Skip up - 2000 mm

Dimensions (mm)

A	4068
B	1770
C	2113
D	1620
E	1750
F	1978
G	279
H	1670
I	1111
J	1280
K	361
L	3460
M	2297
N	220
P	3288
R	4081
S	4050
T	2260
U	1870
V	2190
W	1850

T300H Hi-Swivel Hydrostatic

MACH2075

Capacities	Max safe load	3000 kg
	Heaped	1760 litres
	Struck	1300 litres
	Water	1050 litres

Engine

Yanmar 3TNV86CHT, 33.3 kW/45 bhp (nett) at 2600 rpm, 3-cylinder water-cooled charged air turbo direct-injection common rail diesel. Including after treatment diesel particulate filter (DPF), providing conformity to Stage V emission regulations. Max. torque 142 Nm (105 lbf ft). Electric starting, battery isolator switch and heavy-duty cyclonic air cleaner positioned within the lockable rear compartment.

Noise Levels

Operator's ear 84 LpA, airborne sound power level 101 LwA (to 2000/14/EC).

Transmission

Hydrostatic with high/low speed range and forward/reverse direction controlled by one column mounted lever. Inching facility for precise manoeuvres in restricted areas activated by first push on brake pedal.

Speeds	Forward and reverse	
	Low	0– 8.8 km/h (5.5 mph)
	High	0–23.8 km/h (14.8 mph)

Tyres	295/80 x 15.3
	Load/Speed Index 119 A8
	Track grip tread

Brakes and Axles

Totally enclosed multiplate oil-immersed discs mounted on rear axle effective on all four wheels. Automatic adjustment for wear. Hand-operated parking brake, spring applied hydraulically released brakes (SAHR). Heavy duty axles with epicyclic reduction and fully floating half shafts.

Kinglink Chassis

Front and rear chassis constructed from deep section folded steel plate, with three-point Kinglink giving centre articulation and oscillation for better stability, traction and extra safety on site. Remote greasing point provided for lubrication of top Kinglink articulation pin.

Skip

Hydraulically operated, 5 mm steel plate all round, fully welded, mouth and sides of skip reinforced with box sections to minimise skip damage. Variable tipping height by means of a scissor lift. Two-lever control: one to raise and lower the scissor mechanism; the other, a dual-axis lever for rotating the skip through 180° and for discharging the load.

Seating & Controls

Adjustable suspension seat, fitted with high visibility rigid seat belt with adjustable retractable web, accessible from the rear on both sides. Audible warning device for handbrake in "on" position, electric horn, large pedal pads, ignition key, park brake and skip controls ready to hand. Clear operators display unit contains all warning lamps plus LED screen to show Fuel level, Hourmeter, Tachometer, Engine coolant temperature, Error codes and description should an engine error occur.

Service Access

Lockable engine cover opens to provide easy access from ground level to engine service points. Rear access door incorporates the battery, battery isolator, power distribution board and air cleaner. Steel diesel and hydraulic tanks are positioned low in chassis side members, permitting access to the filler caps from ground level.

Electrics

Engine control unit (ECU) monitors all engine/emission related systems, if necessary, reducing engine power/speed (including engine shut-down). Fuse & relay are clearly marked and housed on a central power distribution board. Main harness is fully enclosed in solid conduit and incorporates the engine diagnostic port.

Steering and Hydraulics

Hydraulic power steering. Return line filtration for all services and large capacity suction strainer in the tank to give full circuit protection. Hydraulic test point fitted as standard.

Tank Capacities	Fuel	44 litres
	Hydraulic	44 litres

Shipping Cube	17.3 m ³ (ROPS folded)
---------------	-----------------------------------

Unladen Weight	3120 kg
----------------	---------

Clearance Diameter	8.00 m
--------------------	--------

Standard Equipment

Full LED road lighting Incl. DRL (Daylight Running Lights), Camera and Dashpanel Monitor, Towing bracket, Folding ROPS frame, LED Beacon, Fan guard, Low fuel level warning, Water in fuel warning, Low Brake Fluid warning, High visibility rigid seat belt, Reverse alarm.

Optional Extras

Road mirrors, Wheel Nut Indicator, GPS Speedometer, Trackunit.

Distributor



Thwaites Ltd. Leamington Spa, Warwickshire CV32 7NQ, England
 Tel +44 (0)1926 422471 Fax +44 (0)1926 337155
 www.thwaitesdumpers.co.uk



We reserve the right to change all specifications without prior notice.
 Printed in England
 12/2020