

KOBELCO

SK25SR-6

SK25SR



We Save You Fuel
Achieving a Low-Carbon Society

Compact, Tough Performer



Mini excavators are widely used at sites where space is limited, such as residential areas and industrial operations. Users want big power in a small machine, stable operation, rugged construction and durability to reduce downtime. The SK25SR combines a compact design with efficiency, maneuverability and durability to ensure a long working life. Maintenance is easy, with the machine's running condition shown on an LCD monitor fitted as standard.

The SK25SR is a mini with big aspirations, designed and equipped for full-sized performance over an extended working life.

PERFORMANCE

Compact yet Big Performance

Reliable Swing Power, Faster Working Speed

Boosted swing power and a top-class swing speed deliver shorter cycle times.

Swing Speed: **10.0 min⁻¹**

Powerful Digging

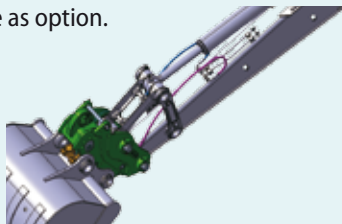
For more efficient work performance.

Max. Arm Crowding Force: **14.7 kN**

Max. Bucket Digging Force: **24.5 kN**

Easy Hydraulic Piping for Quick Hitch

Piping for Quick Hitch is available as option.



Auto Deceleration (Option)



If the operating levers have been in neutral for more than 4 seconds, the engine will automatically drop back to idle, which lowers noise, emissions and fuel consumption.

Backlit Liquid Crystal Monitor

The backlit liquid crystal monitor is provided as standard. Operation information as well as the full range of machine status information can readily be checked.



Warning indicators LED lamp

Water temperature gauge

Clock

Hour meter

Fuel gauge

Menu switch

Function keys

Function key guidance

Normal display

Main menu

Maintenance

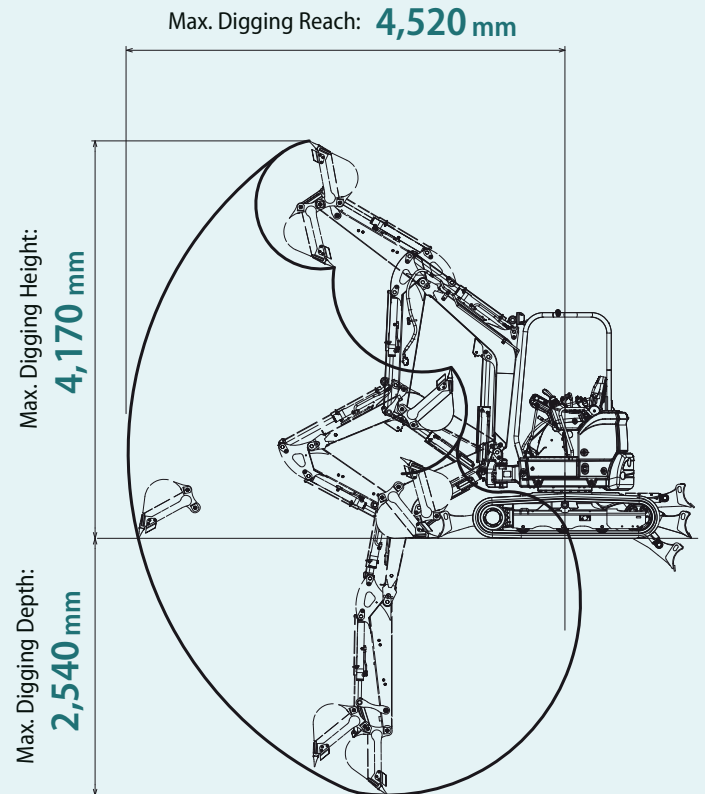
Machine operation management

Machine operating hours

Language setting

Wide Working Range

The SK25SR has plenty of working ranges.



PERFORMANCE

Compact yet Big Performance

Short Tail Swing

The combination of side-ditch digging function and zero tail radius makes it easy to dig next to walls with a compact operating footprint.

Tail Overhang: **0mm**
(without rear view mirror)



Compact Upper Body Without Front Overhang



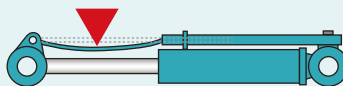
RELIABILITY

Reliable Construction

SK25SR has the durability needed in a machine that works in tight spaces.

Cylinder Rod Guard

The spring steel cylinder rod guard is standard for the bucket, boom and arm cylinder. The use of spring steel not only protects the cylinder rod, but gives resiliency to the guard itself.



Boom cylinder rod guard



Arm cylinder rod guard



Bucket cylinder rod guard



Work Light

Work light is mounted under the boom to protect from damage.



Blade Cutting Edge

Backfill dozer blade has wear-resistant cutting edge.

COMFORT

Comfortable Work Environment



Broader floor space gives operators plenty of foot room. Wide operational space is provided with more room between the left and right control consoles.

Storage Compartment for Manuals

A handy compartment in the seat-back holds manuals and other documents.



Wrist Rest

Wrist rests fitted on the each control lever box ensure fatigue-free operation.



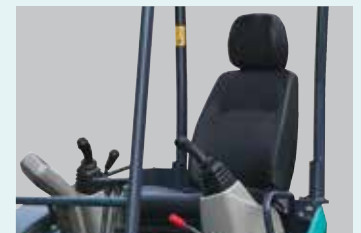
Travel Pedal

The travel pedal simplifies simultaneous operations while the machine is traveling.



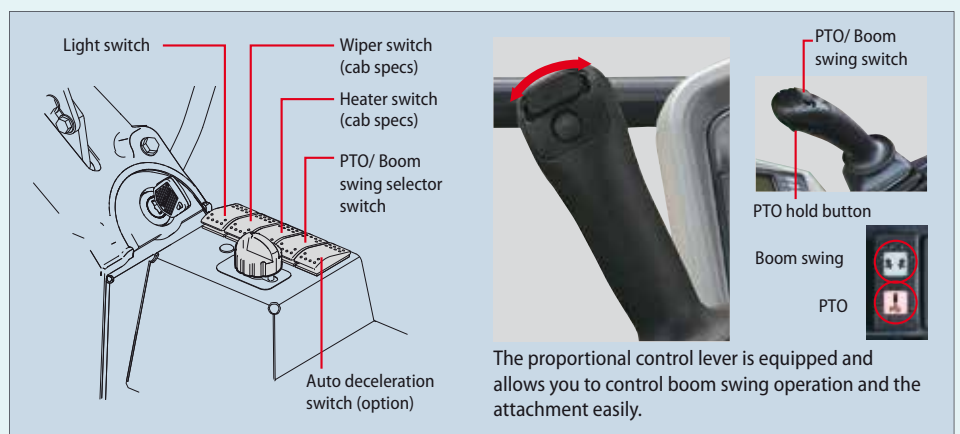
Comfortable Reclining Seat

Seat can be adjusted to match the operator's size or posture.



Easy Access to Control Panel and Levers

Centralized switches in a convenient position to allow for simple, convenient operation.



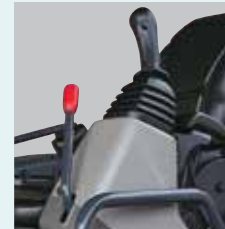
Operator Safety

Reliable Cab/Canopy Structure

The high-strength cab/canopy meets ROPS and TOP GUARD LEVEL 1 standards for greater operator safety.



Safety Lever Lock



Safety lever lock permits enter and exit only when the levers are disengaged to prevent accidental operation.

Travel Alarm



Travel alarm is available as an Option.

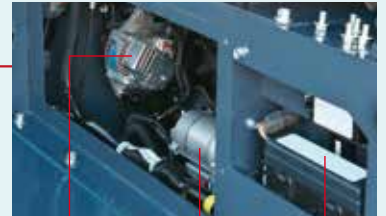
MAINTENANCE

Easy Maintenance

Easier maintenance, with a fully-opening engine hood and equipment that requires the most frequent checks positioned to be readily visible.



Under the Operator's Seat



Generator Starter motor Fuse box

Easy Access to Engine Compartment



Water separator Fuel filter Radiator over flow bottle

Air cleaner

Right Side

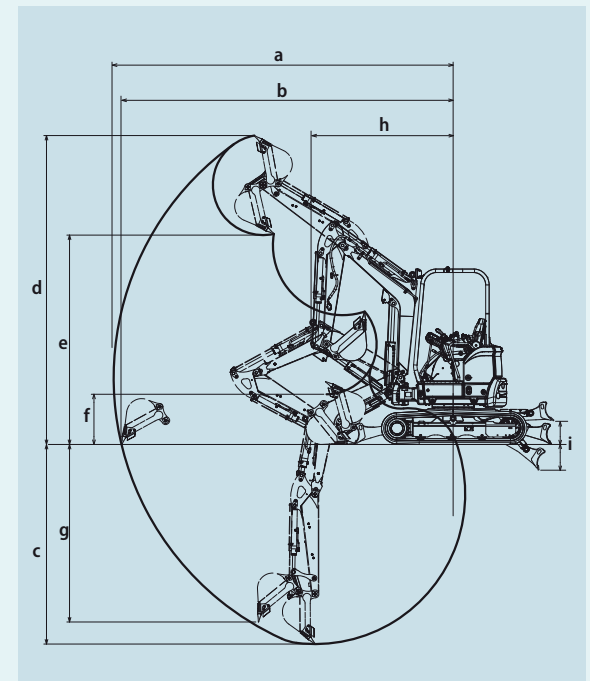


Fuel tank Hydraulic tank Battery

SPECIFICATIONS

GENERAL			
MODEL		SK25SR	
Type		SK25SR-6	
PERFORMANCE			
Shoe Type		Rubber	Steel
Bucket Capacity		m ³ 0.08	
Travel Speed (high/low)		km/h 4.5/2.8	
Swing Speed		min ⁻¹ {rpm} 10.0	
Gradeability		% (degree) 47 (30)	
Traction Force		kN 24.4	26.7
Bucket Digging Force		kN 24.5	
Arm Crowding Force		kN 14.7	
WEIGHT			
Machine Mass	Cab	kg 2,670	2,780
	Canopy	kg 2,565	2,675
Ground Pressure	Cab	kPa 30.9	32.0
	Canopy	kPa 29.7	30.9
ENGINE			
Model		Yanmar 3TNV76-NBVA1	
Type		Water cooled, 4-cycle, 3-cylinder	
Power Output NET	(ISO9249)	kW/min ⁻¹ {rpm}	15.2/2,500
Max. Torque NET	(ISO9249)	N·m/min ⁻¹ {rpm}	66.2/1,800
Displacement		L 1.115	
Fuel Tank		L 30.5	
HYDRAULIC SYSTEM			
Pump		Two variable displacement pumps + two gear pumps	
Max. Discharge Flow		L/min	2 x 30.0, 21.3, 11.3
Relief Valve Setting		MPa	2 x 20.6, 18.1, 2.9
Hydraulic Oil Tank (system)		L	25 (39)
DOZER BLADE			
Width x Height		mm	1,500 x 295
Working Ranges (height/depth)		mm	340/355
SIDE DIGGING MECHANISM			
Type		Boom swing	
Offset Angle	To the left	degree	47
	To the right	degree	74

WORKING RANGES



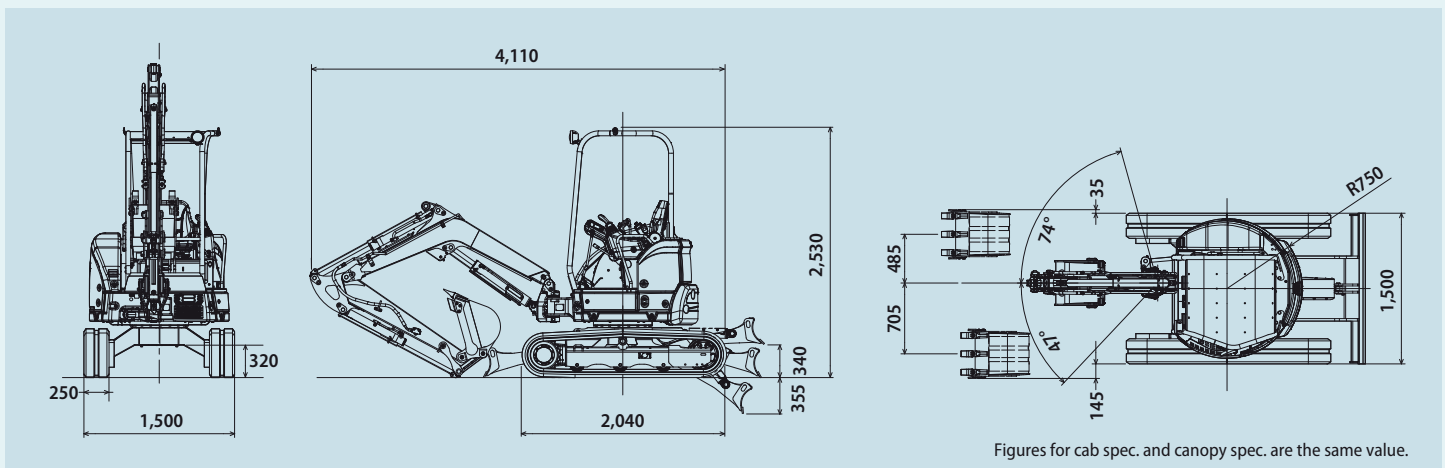
Unit: mm

MODEL	SK25SR
a- Max. digging reach	4,520
b- Max. digging reach at ground level	4,400
c- Max. digging depth	2,540
d- Max. digging height	4,170
e- Max. dumping clearance	2,780
f- Min. dumping clearance	950
g- Max. vertical wall digging depth	2,240
h- Min. swing radius	1,950
h- Min. swing radius at boom swing	1,650
i- Dozer blade (height/depth)	340/355

Figures for cab spec. and canopy spec. are the same value.

GENERAL DIMENSIONS

Unit: mm

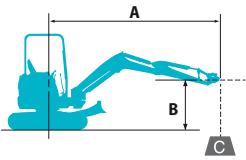


Figures for cab spec. and canopy spec. are the same value.

OPTIONAL EQUIPMENT

• Steel shoe • Piping for Quick Hitch • Long arm • Radio (only for cab) • Travel Alarm • Boom & arm holding valve

LIFTING CAPACITIES



Rating over front



Rating over side or 360 degrees

A: Reach from swing centerline to arm top
 B: Arm top height above/below ground
 C: Lifting capacities in kilograms
 Shoe: Rubber shoe Dozer blade: Up
 Relief valve setting: 20.6 MPa

SK25SR		Bucket: Without Rubber Shoe: 250 mm								Radius
B	A	2.0 m		2.5 m		3.0 m		At. Max. reach		
3.0 m	kg			*450		*530	*520	*530	*520	3.02 m
2.5 m	kg			*470		*500	*490	*520	390	3.39 m
2.0 m	kg			*550	*550	*530	*520	400	340	3.62 m
1.0 m	kg	1,000	790	700	570	520	430	350	300	3.81 m
G. L.	kg	870	710	620	510	480	420	360	300	3.67 m
-1.0 m	kg	840	690	610	500	470	390	440	370	3.13 m
-1.5 m	kg	890	700	*650	510			580	490	2.61 m

Notes:

- Do not attempt to lift or hold any load that is greater than these lift capacities at their specified lift point radius and heights. Weight of all accessories must be deducted from the above lift capacities.
- Lift capacities are based on machine standing on level, firm, and uniform ground. User must make allowance for job conditions such as soft or uneven ground, out of level conditions, side loads, sudden stopping of loads, hazardous conditions, experience of personnel, etc.
- Arm top defined as lift point.

- The above lifting capacities are in compliance with ISO 10567. They do not exceed 87% of hydraulic lifting capacity or 75% of tipping load. Lifting capacities marked with an asterisk (*) are limited by hydraulic capacity rather than tipping load.
- Operator should be fully acquainted with the Operator's and Maintenance Instructions before operating this machine. Rules for safe operation of equipment should be adhered to at all times.
- Lift capacities apply to only machine as originally manufactured and normally equipped by KOBELCO CONSTRUCTION MACHINERY CO., LTD.

Note: This catalog may contain attachments and optional equipment that are not available in your area. And it may contain photographs of machines with specifications that differ from those of machines sold in your area. Please consult your nearest KOBELCO distributor for those items you require.
 Due to our policy of continuous product improvements all designs and specifications are subject to change without advance notice.
 Copyright by **KOBELCO CONSTRUCTION MACHINERY CO., LTD.** No part of this catalog may be reproduced in any manner without notice.

Kobelco Construction Machinery Europe B.V.

Veluwezoom 15
 1327 AE Almere
 The Netherlands
www.kobelco-europe.com

Inquiries To: