

Dynapac CA3500D

Single drum vibratory rollers



Technical data

| Masses | |
|-----------------------------|-----------------|
| Operating mass (incl. ROPS) | 11900 kg |
| Operating mass (incl. Cab) | 12100 kg |
| Module mass (front/rear) | 7600 kg/4500 kg |
| Max. operating mass | 13800 kg |

| Dimensions | |
|------------|---------|
| Drum width | 2130 mm |

| Traction | |
|--------------------------|---------------|
| Speed range (Dual/TC/AS) | 4/6/7/12 km/h |
| Vertical oscillation | ±9° |
| Tyre size (8 ply) | 23,1 x 26 AW |
| Theor. gradeability | 55 % |

| Compaction | |
|--|---------------|
| Static linear load | 36 kg/cm |
| Nominal amplitude (high/low) | 1.9 mm/0.9 mm |
| Vibration frequency (high/low amplitude) | 31 Hz/34 Hz |
| Centrifugal force (high/low amplitude) | 280 kN/170 kN |

| Engine | |
|------------------------|----------------------------|
| Manufacturer/Model | Cummins QSF3.8 (IV/4final) |
| Type | Water cooled turbo Diesel |
| Rated power, SAE J1995 | 97 kW (130 hp) @ 2200 rpm |
| Fuel tank capacity | 272 l |
| DEF tank capacity | 20 l |

| Engine | |
|------------------------|----------------------------|
| Manufacturer/Model | Cummins QSB4.5 (IIIA/3) |
| Type | Water cooled torbo Diesel |
| Rated power, SAE J1995 | 97 kW (130 hp) @ 2200 rpm |

| Hydraulic system | |
|--------------------------------|---|
| Driving | Hydrostatic |
| Vibration | Hydrostatic |
| Steering | Hydrostatic |
| Service brake | Hydrostatic in forward and reverse lever. |
| Parking/ Emergency brake | Failsafe multidisc brake in drum gear box and in rear axle. |

Find us locally at www.dynapac.com

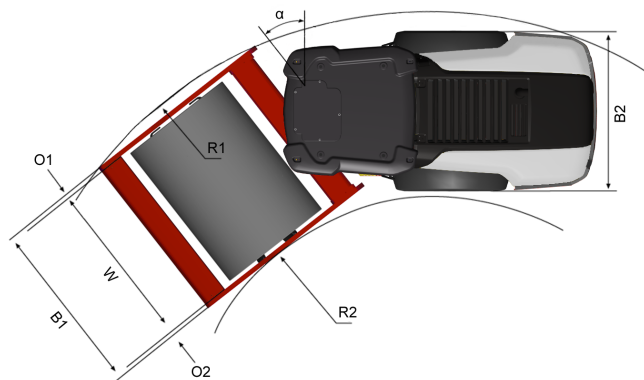
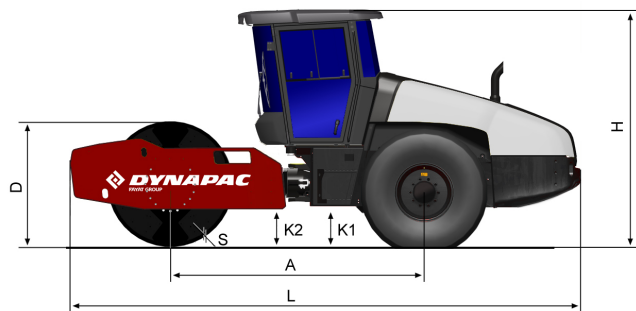
We reserve the right to change specifications without notice. Photos and illustrations do not always show standard versions of machines. The above information is a general description only, all informations are supplied without liability.

Dynapac CA3500D

Single drum vibratory rollers



Technical data



| Dimensions | |
|-----------------------------|---------|
| A. Wheelbase | 2990 mm |
| B1. Width, front | 2304 mm |
| B2. Width, rear | 2130 mm |
| D. Drum diameter | 1520 mm |
| H1. Height, with ROPS/cab | 2880 mm |
| H2. Height, w/o ROPS/cab | 2130 mm |
| K1. Ground clearance | 450 mm |
| K2. Curb clearance | 450 mm |
| L. Length | 5990 mm |
| O1. Overhang, right | 87 mm |
| O2. Overhang, left | 87 mm |
| R1. Turning radius, outside | 5450 mm |
| R2. Turning radius, inside | 3300 mm |
| S. Drum shell thickness | 35 mm |
| W. Drum width | 2130 mm |
| α. Steering angle | ±38° |

Find us locally at www.dynapac.com

We reserve the right to change specifications without notice. Photos and illustrations do not always show standard versions of machines. The above information is a general description only, all informations are supplied without liability.